

Full Gigabit Outdoor Industrial PoE Switch Box

Model: SBOX1401G-I



Product Introduction

The SBOX1401G-I is an Outdoor Industrial PoE Switch Box with 4*10/100/1000Mbps PoE Port and 1*1000Mbps SFP Slot, can work well at harsh environment from -40° to 75° . Featured with high protection and lightning protection level, it can better meet the deployment requirements of rail transit, safe city, intelligent transportation, outdoor monitoring and other harsh environments.

Himax PoE switch with Smart DIP Switch to offer WatchDog, Vlan Isolation, Port Isolation as well as Port Priority+QoS!

Features

- ◎ 4*10/100/1000M PoE ports+1*100/1000M SFP port Industrial PoE Switch, port 1-4 support IEEE 802.3af/at;
- ◎ PoE port 1~port 4 support AF/AT intelligent recognition. Standard power is 15.4W/port, Maximum power is 30W/port;
- ◎ Support AI Watchdog, Port isolation, VLAN, Port Priority+QOS
- ◎ Comply with IEEE 802.3, IEEE 802.3u, IEEE 802.3ab, IEEE 802.3z standards;
- ◎ Pin Assignment 1,2,3,6
- ◎ Operation TEMP: $-40\sim 75^{\circ}\text{C}$
- ◎ Input voltage: AC100-240V, 50/60Hz
- ◎ IP protection level: IP55;
- ◎ 5 years warranty.

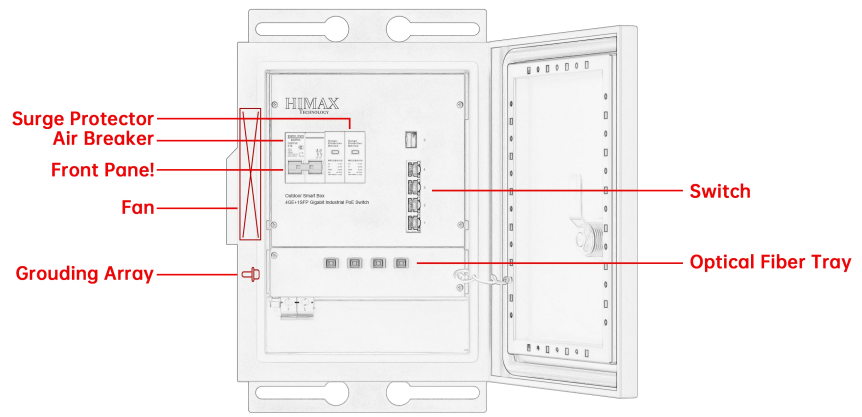
Integrated Solution, Better Living

Specification

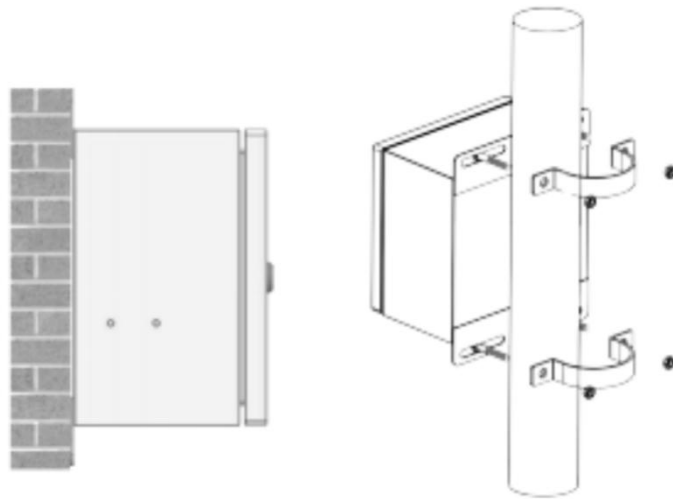
Model		SBOX1401G-I	
Interfaces			
Interface	4*10/100/1000Base-T PoE ports (Data/Power) 1*100/1000Base-X uplink SFP fiber slot port (Data)		
Ethernet Port	Port 1-4 support 10/100/1000Base-TX, auto-sensing, Full/half duplex MDI/MDI-X self-adaption		
DIP Switch	AI Watchdog, Port isolation, VLAN, Port Priority +QOS		
PoE			
PoE Standard	IEEE802.3af/at		
SFP Port	Gigabit SFP optical fiber port, default matching optical modules (optional order single-mode / multi-mode, single fiber / dual fiber optical module. LC)		
Power Adaptor	150 W		
Physical Characteristics			
LED Indicators	PWR, OPT, NMC, ALM		
Power Interface	AC Input		
Optical Cable	Multimode: 850nm 0 ~ 550M, single mode: 1310nm 0 ~ 40KM, 1550nm 0 ~ 120KM.		
Network Topology	Support Star topology, Bus topology, Tree Topology		
Input voltage	AC100-240V, 50/60Hz		
Total Power consumption (POE)	< 126 W		
Voltage Alarm	Support		
Layer 2 Switching	Switching capacity	14 G	
	Packet forwarding rate	10.416 Mpps	
	MAC address table	8 K	
	Buffer	2 M	
	Forwarding delay	<5 us	
	MDX/MIDX	Support	
	Jumbo Frame	Support 10K Bytes	
	WatchDog	Support	
Environment	Port Isolation	Support	
	Operating temperature	-40°C~+75°C The device is tested for 4 hours at temperatures in 85°C	
	Storage temperature	-40°C~+85°C	
	Relative humidity	5%~95% non-condensing	
	Thermal methods	Auto Fans Cooling	
Cabinet Description	MTBF	100,000 hours	
	Product size	220X230X300mm	

	Material	High-quality galvanized sheet, thickness 1.2mm box mounting ears thickness 1.5mm
	Weight	Net weight: 7.25KG, Gross weight: 8.25KG
	Box lock	Triangle lock
	Door	The door has built-in waterproof rubber strips and built-in reinforcing ribs
	Bottom of the box	The diameter of the cable entry hole at the bottom of the box is 50mm, and there is an air inlet hole at the bottom of the box (insect-proof net welded inside)
	Fan	AC220V with temperature control, 3000±10% RFM, air volume 90CFM, 92*92*25mm, line length 300mm
	Optical fiber box	4-port SC fiber flange, with 8-core fiber box
	Air breaker	It has short-circuit protection, overload protection and isolation functions and has thermal-magnetic tripping characteristics C-shaped curve (5In~10In)
Lightning protector	Rated operating voltage	220V
	Maximum continuous operating voltage	385V
	Rated discharge current (8/20 μs)	20KA
	Maximum discharge current (8/20 μs)	40KA
	Limit voltage	≤1.8KV
	Indication	Green: Normal Red: Failure
EMC & Ingress Protection	IP Level	IP55
	Surge protection of Power	IEC 61000-4-5 Level X (8KV/6KV)
	Surge protection of Ethernet port	IEC 61000-4-5 Level X (8KV/6KV)
	RS	IEC 61000-4-3 Level 3 (10V/m)
	EFI	IEC 61000-4-4 Level 3 (1V/2V)
	CS	IEC 61000-4-6 Level 3 (10V/m)
	PFMF	IEC 61000-4-8 Level 4 (30A/m)
	DIP	IEC 61000-4-11 Level 3 (10V)
	ESD	IEC 61000-4-2 Level 4 (8K/15K)
Installation Method	Wall Mounting/Pole Mounting	
IP Level	IP55	

Product Overview



Installation



HIMAX



HIMAX TECHNOLOGY LIMITED

www.himax-technology.com

Email: sales@himax-technology.com

F10, Fuhong Building, No.120 Yongfu Road, Qiaotou Community Fuhai Street, BaoanDistrict, Shenzhen China



Company Website