

Mono Solar Panel

Model: MSP100W



Product Introduction

Quality Guarantee

5-Year Warranty for Materials and Processing

25-Year Warranty for Extra Linear Power Output

Multiple Main Grid Design

Better light utilization and current collection capability, effectively improve product power output and reliability.

Anti PID Guarantee

The attenuation rate caused by PID phenomenon is minimized by battery production technology optimization and material control.

Adaptability To Harsh Environments

Third party certification through high salt spray and high ammonia corrosion test.

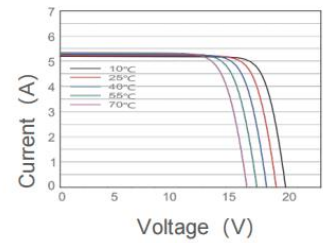
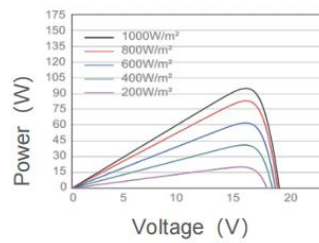
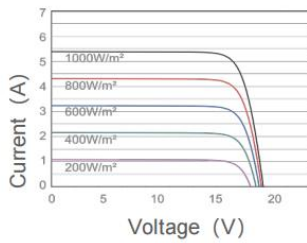
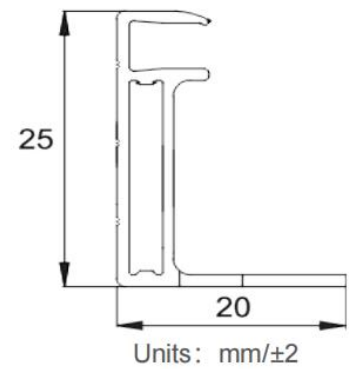
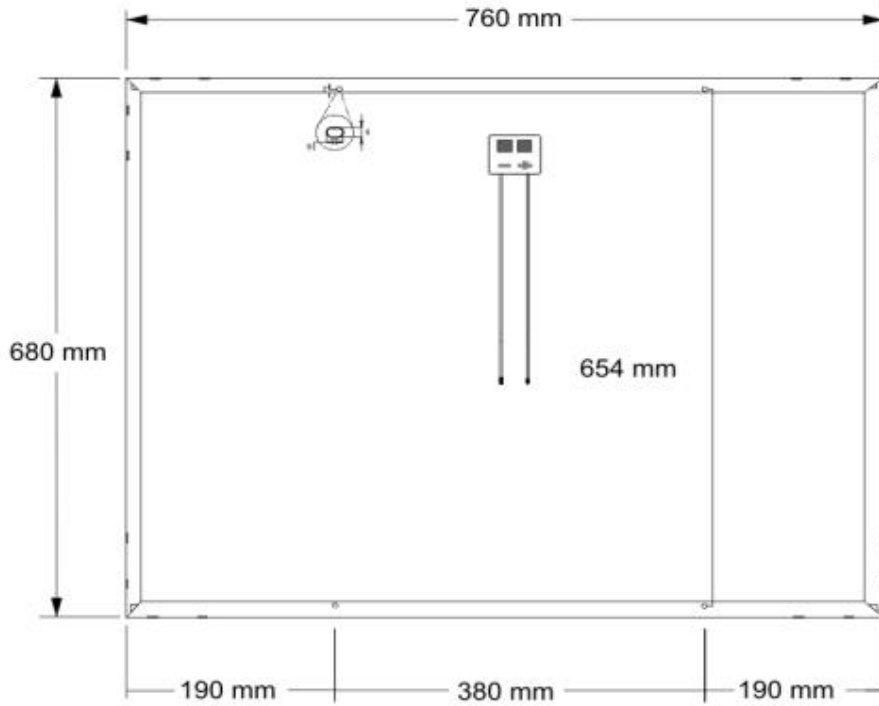
Capacity Of Load

The whole assembly passes 2400Pa wind load and 5400Pa snow load.

Specification

Model	MSP100W
Electrical Parameters at (STC)	
Power	100W
Module Efficiency	19.30%
Voltage at Pmax (Vmp)	18.24V
Current at Pmax (Imp)	5.48A
Open Circuit Voltage (Voc)	21.80V
Short Circuit Current (Isc)	5.81A
Power Tolerance (W)	±3%
Mechanical Parameters	
Solar Cell (Type/Size)	Mono(182mm)
Solar Cells Number	32Pcs(4*8)
Dimension	680*760*25mm
Weight	6.30KG/Pcs
Tempered Glass	3.2mm High Permeability Coated
Frame	Anodized aluminum alloy
Junction Box	IP67/1*bypass diode
Cable	2.0mm ² /500mm
Connector	Original MC4/Compatible MC4
Mechanical Load	Front 5400PA/back 2400PA
Packing	
Carton Size	690*770*60mm
Number	2Pcs/Ctn
Weight	13KG/Ctn
Volume	0.032Cbm/Ctn
20GP Container	1600 Pcs
40HQ Container	4164 Pcs
STC	
Light intensity	1000W/m ²
Battery temperature	25°C
Atmosphere quality	15
NOCT	
Light intensity	800W/m ²
Battery temperature	20°C
Atmosphere quality	15
Wind velocity	1m/s

Characteristics



HIMAX



HIMAX TECHNOLOGY LIMITED

www.himax-technology.com

Email: sales@himax-technology.com

F10, Fuhong Building, No.120 Yongfu Road, Qiaotou Community Fuhai Street, BaoanDistrict, Shenzhen China



Company Website