

## Mono Solar Panel

---

Model: MSP200W



### Product Introduction

Quality Guarantee

5-Year Warranty for Materials and Processing

25-Year Warranty for Extra Linear Power Output

Multiple Main Grid Design

Better light utilization and current collection capability, effectively improve product power output and reliability.

Anti PID Guarantee

The attenuation rate caused by PID phenomenon is minimized by battery production technology optimization and material control.

Adaptability To Harsh Environments

Third party certification through high salt spray and high ammonia corrosion test.

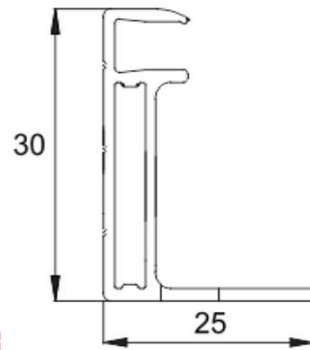
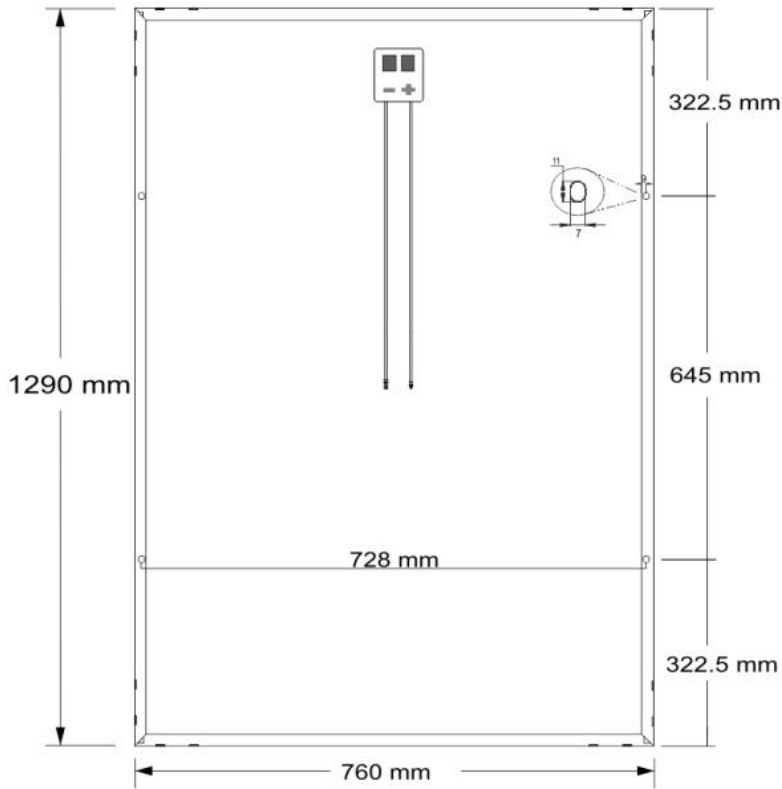
Capacity Of Load

The whole assembly passes 2400Pa wind load and 5400Pa snow load.

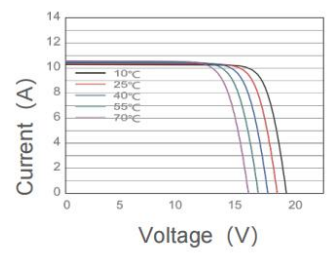
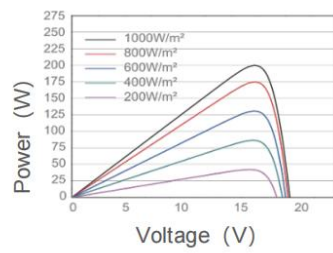
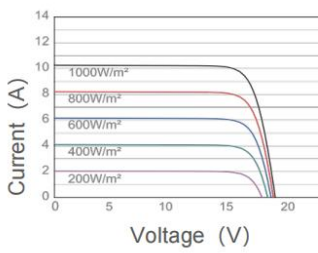
## Specification

Model		MSP200W
Electrical Parameters at (STC)		
Power (W)		200W
Module Efficiency (%)		20.40%
Voltage at Pmax (Vmp)		18.24V
Current at Pmax (Imp)		10.96A
Open Circuit Voltage (Voc)		21.80V
Short Circuit Current (Isc)		11.62A
Power Tolerance (W)		±3%
Mechanical Parameters		
Solar Cell (Type/Size)		Mono(182mm)
Solar Cells Number		32Pcs(4*8)
Dimension		1290*760*30mm
Weight		10.30KG/Pcs
Tempered Glass		3.2mm High Permeability Coated
Frame		Anodized aluminum alloy
Junction Box		IP67/2*bypass diode
Cable		2.5mm <sup>2</sup> /700mm
Connector		Original MC4/Compatible MC4
Mechanical Load		Front 5400PA/back 2400PA
Packing		
Carton Size		1330*770*70mm
Number		2Pcs/Ctn
Weight		21KG/Ctn
Volume		0.072Cbm/Ctn
20GP Container		708 Pcs
40HQ Container		1828 Pcs
STC		
Light intensity		1000W/m <sup>2</sup>
Battery temperature		25°C
Atmosphere quality		15

## Characteristics



Units: mm/±2



# HIMAX



HIMAX TECHNOLOGY LIMITED

[www.himax-technology.com](http://www.himax-technology.com)

Email: [sales@himax-technology.com](mailto:sales@himax-technology.com)

F10, Fuhong Building, No.120 Yongfu Road, Qiaotou Community Fuhai Street, BaoanDistrict, Shenzhen China



Company Website