

Mono Solar Panel

Model: MSP300W



Product Introduction

Quality Guarantee

5-Year Warranty for Materials and Processing

25-Year Warranty for Extra Linear Power Output

Multiple Main Grid Design

Better light utilization and current collection capability, effectively improve product power output and reliability.

Anti PID Guarantee

The attenuation rate caused by PID phenomenon is minimized by battery production technology optimization and material control.

Adaptability To Harsh Environments

Third party certification through high salt spray and high ammonia corrosion test.

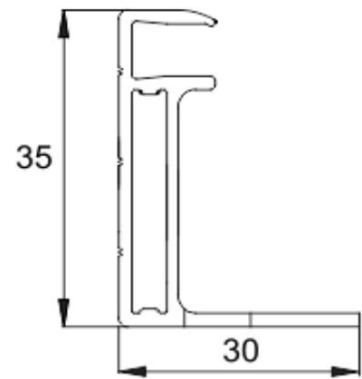
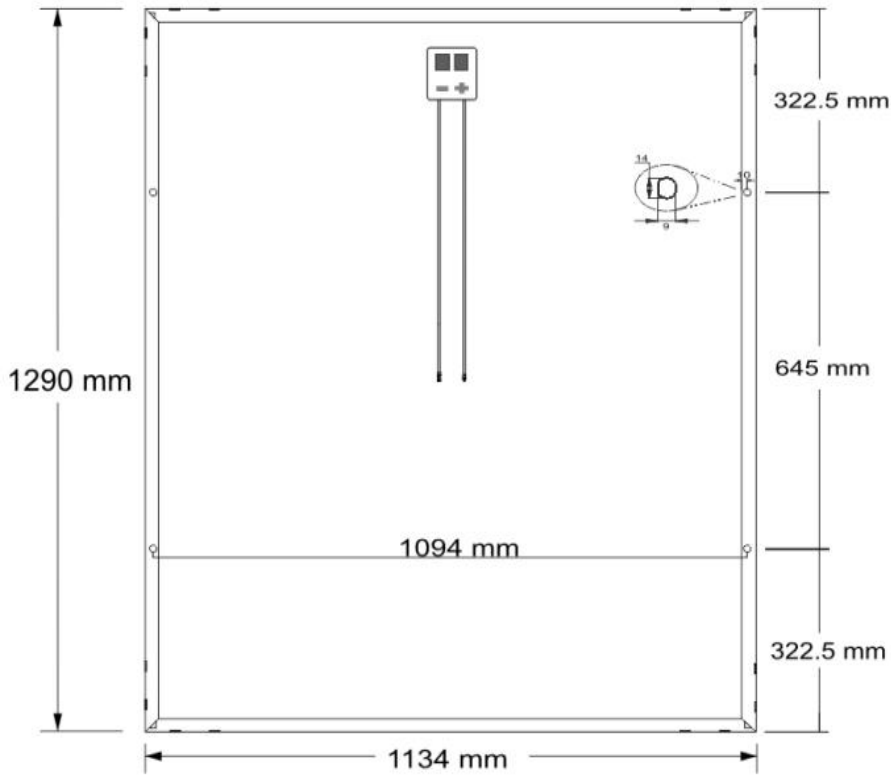
Capacity Of Load

The whole assembly passes 2400Pa wind load and 5400Pa snow load.

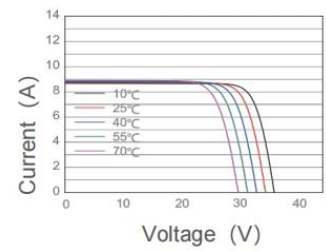
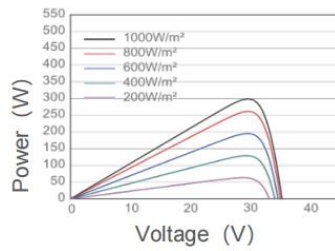
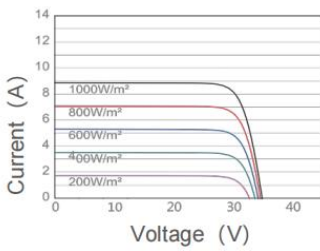
Specification

Model		MSP300W
Electrical Parameters at (STC)		
Power (W)		300W
Module Efficiency (%)		20.50%
Voltage at Pmax (Vmp)		34.20V
Current at Pmax (Imp)		8.77A
Open Circuit Voltage (Voc)		41.04V
Short Circuit Current (Isc)		9.30A
Power Tolerance (W)		±3%
Mechanical Parameters		
Solar Cell (Type/Size)		Mono(182mm)
Solar Cells Number		60Pcs(6*10)
Dimension		1290*1134*35mm
Weight		14.30KG/Pcs
Tempered Glass		3.2mm High Permeability Coated
Frame		Anodized aluminum alloy
Junction Box		IP67/3*bypass diode
Cable		4mm ² /900mm
Connector		Original MC4/Compatible MC4
Mechanical Load		Front 5400PA/back 2400PA
Packing		
Carton Size		1305*1149*83mm
Number		2Pcs/Ctn
Weight		29KG/Ctn
Volume		0.124Cbm/Ctn
20GP Container		296 Pcs
40HQ Container		976 Pcs
STC		
Light intensity		1000W/m ²
Battery temperature		25°C
Atmosphere quality		15
NOCT		
Light intensity		800W/m ²
Battery temperature		20°C
Atmosphere quality		15
Wind velocity		1m/s

Characteristics



Units: mm/±2



HIMAX



HIMAX TECHNOLOGY LIMITED

www.himax-technology.com

Email: sales@himax-technology.com

F10, Fuhong Building, No.120 Yongfu Road, Qiaotou Community Fuhai Street, BaoanDistrict, Shenzhen China



Company Website